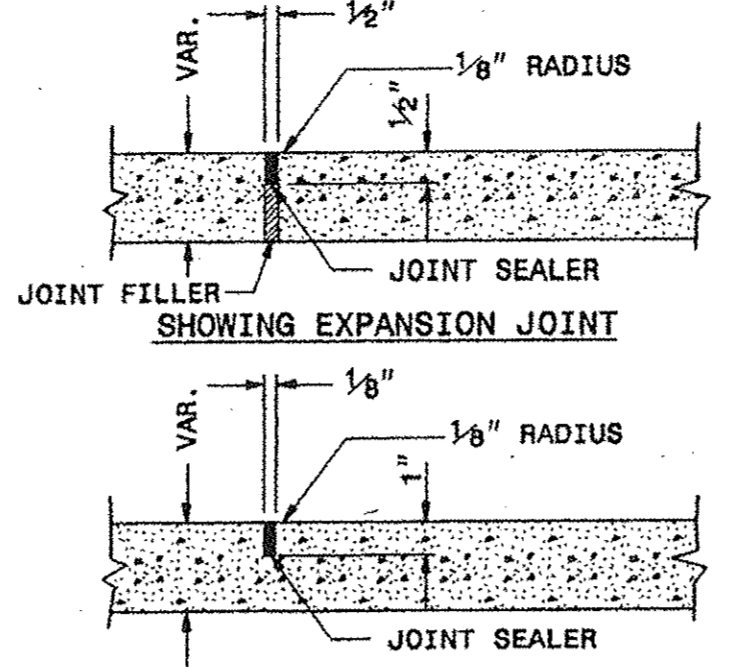


**GENERAL NOTES**

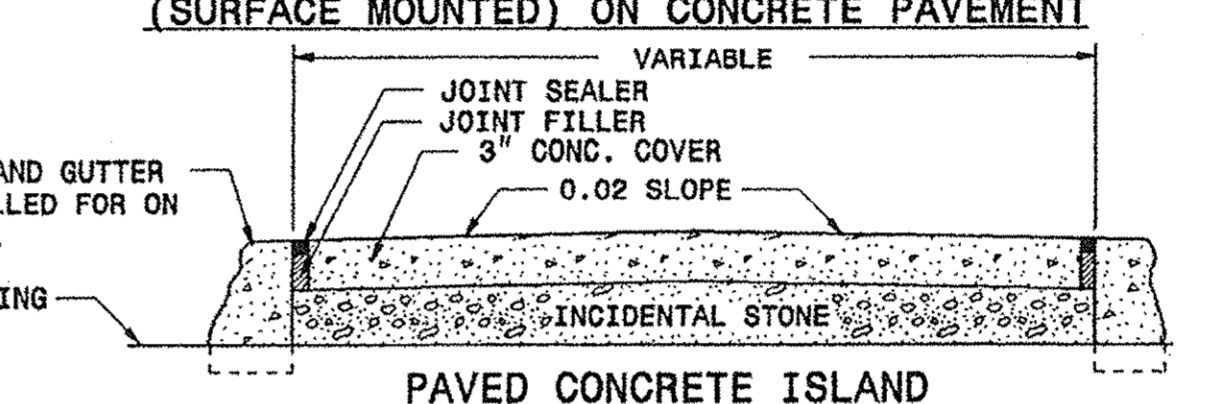
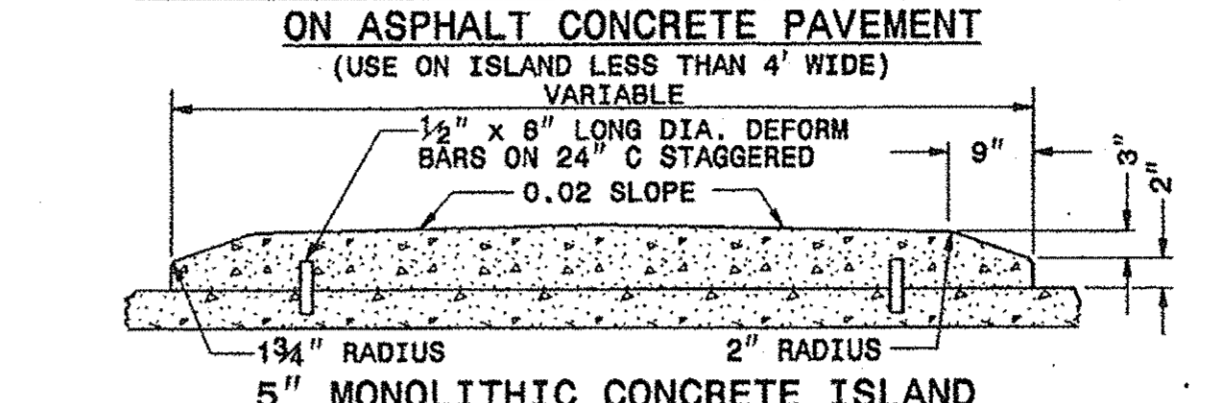
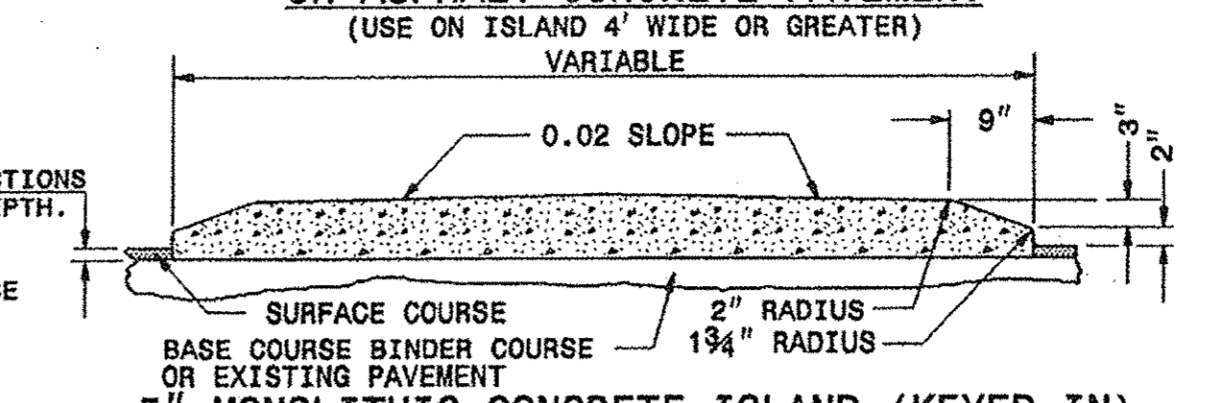
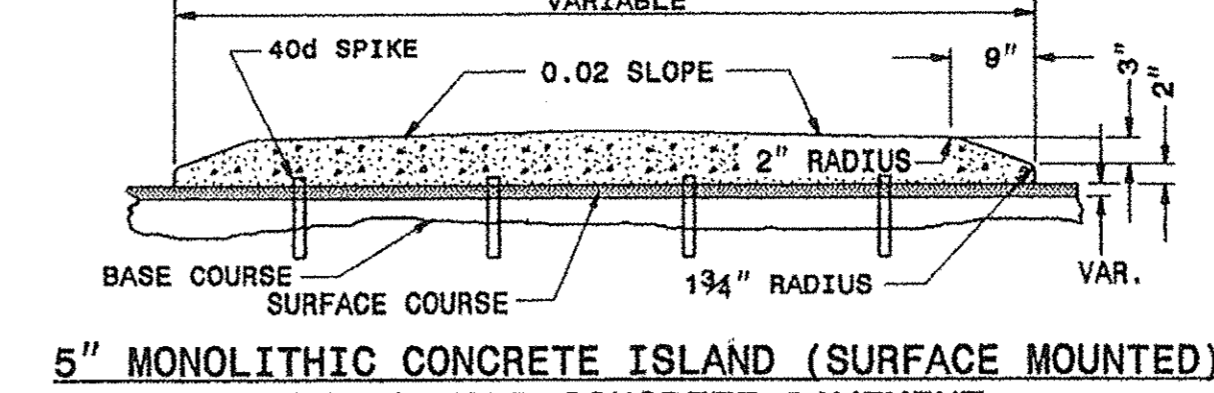
- USE THE COLOR WHITE FOR ALL PAVEMENT MARKING SYMBOLS.
- DO NOT LOCATE PAVEMENT MARKING SYMBOLS AS TO ENDOACH INTO INTERSECTION AREAS.
- DO NOT PLACE PAVEMENT MARKING SYMBOLS ACROSS TRANSVERSE EXPANSION JOINTS ON PORTLAND CEMENT CONCRETE PAVEMENTS, UNLESS APPROVED BY THE ENGINEER.
- CONFORM ALL SYMBOLS TO THE FHWA "STANDARD ALPHABETS FOR HIGHWAY SIGNS AND PAVEMENT MARKINGS" (REFER TO SHEETS 4 THRU 7). SYMBOL DIMENSIONS CAN VARY AMONG MANUFACTURERS, THEREFORE SLIGHT VARIANCES ARE ACCEPTABLE. HOWEVER, ALL SYMBOLS ARE REQUIRED TO BE APPROVED BY THE DEPARTMENT.

**PAVEMENT MARKING DETAIL**

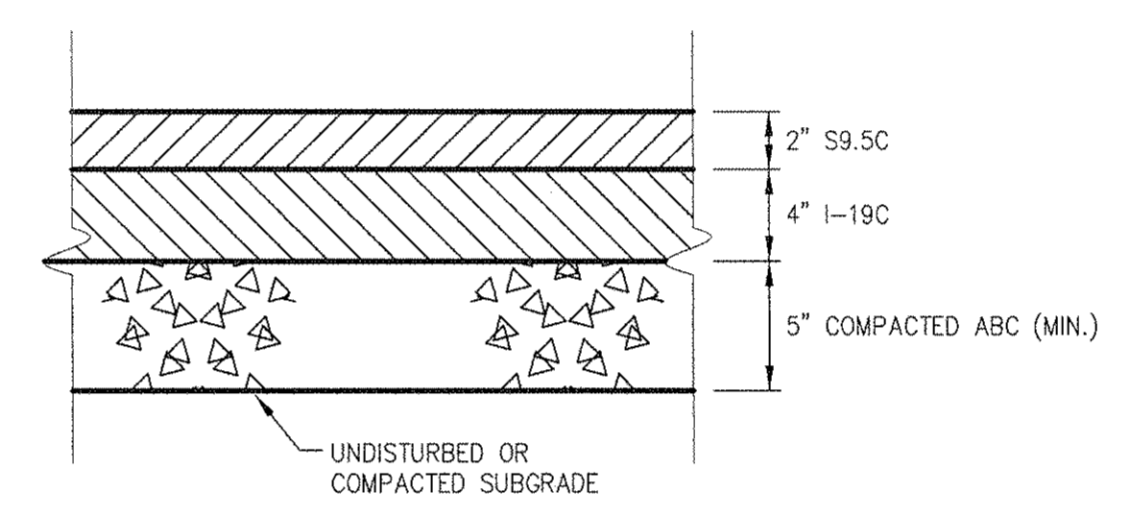


**PARTIAL LONGITUDINAL SECTIONS OF PAVED ISLANDS**

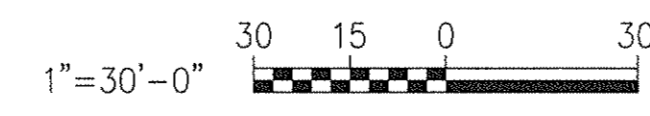
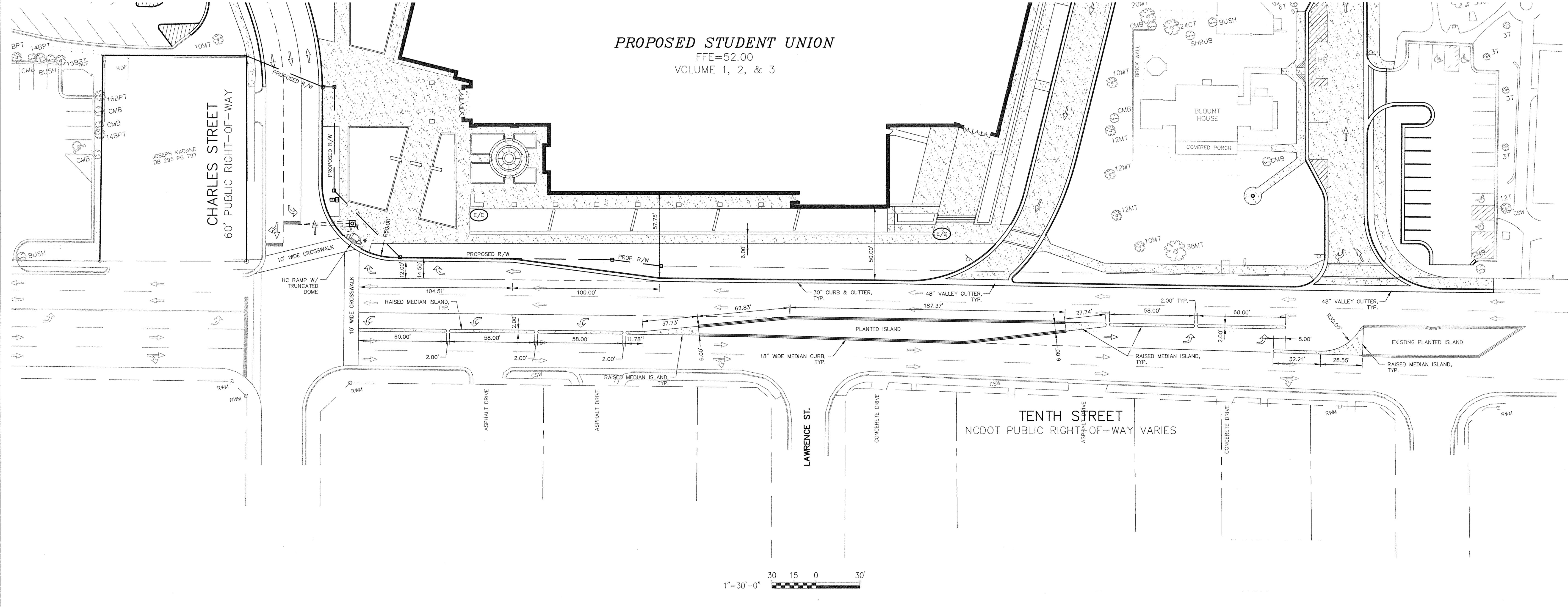
**NOTE:**  
 WHEN MONOLITHIC CONCRETE ISLAND IS ON TOP OF SURFACE COURSE, DRIVE 40d SPIKES INTO SURFACE UNDER MONOLITHIC CONCRETE ISLAND. STAGGER SPIKES ON 2' CENTERS EACH WAY.  
 IN THE CONCRETE PAVEMENT (ISLAND) AND CONCRETE ISLAND (MONOLITHIC) PLACE 1/2" EXPANSION JOINTS AT 30' INTERVALS AND GROOVED JOINTS 1" DEEP AT 10' INTERVALS BETWEEN EXPANSION JOINTS.  
 LINE UP THE JOINTS IN THE CONCRETE PAVEMENT (ISLAND) WITH THE JOINTS IN THE CURB OR CURB AND GUTTER.  
 FILL AND SEAL THE TOP 1/2" OF THE EXPANSION JOINTS AND THE ENTIRE DEPTH OF GROOVED JOINTS WITH JOINT SEALER.  
 FOR JOINTS IN THE CURB AND/OR CURB AND GUTTER, SEE STANDARD NO. 846.01



**MONOLITHIC CONCRETE ISLAND DETAIL**



**TYPICAL PAVEMENT SECTION**



**Revisions**



*Michelle Stewart*  
 ENGINEER  
 12/11/15

NO.	REV. PER COG COMMENTS	DATE
A	REV. PER COG COMMENTS	12/07/15

**Sheet Information**

Date	November 9, 2015
SCO ID#	11-09283-02A
Job Number	820425.000
Drawn	SLJ
Checked	SLJ
Approved	MSC
<b>Title</b>	

**TURN LANE DETAILS**