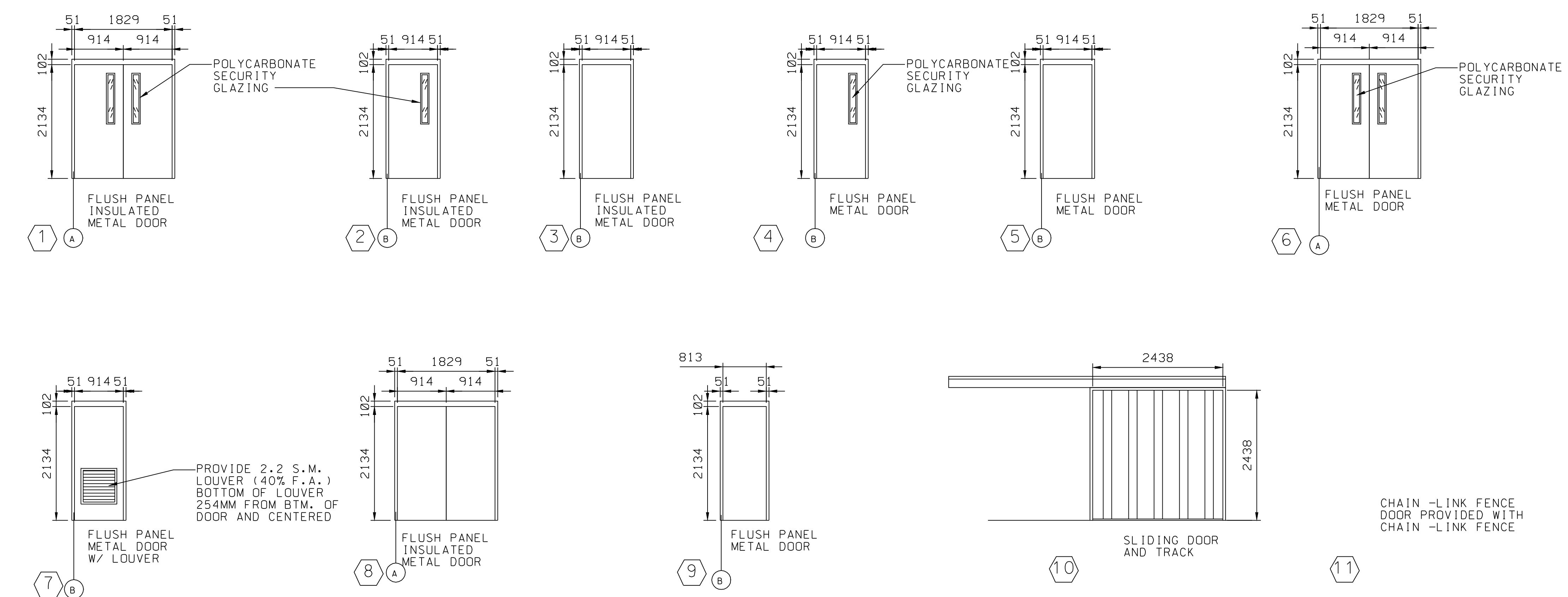
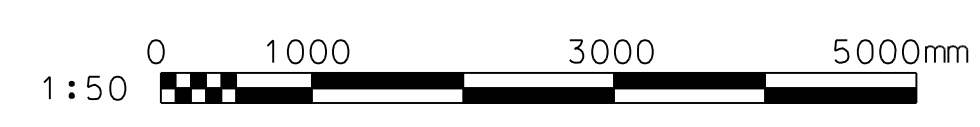


1 2 3 4 5



DOOR AND FRAME TYPES
SCALE 1:50

NOTE:
LAMINATED SAFETY GLASS ON ALL EXTERIOR WINDOWS AND DOOR GLAZING.



- NOTES:
1. ALL DIMENSIONS ARE IN MILLIMETERS UNLESS OTHERWISE NOTED.
 2. SEE STRUCTURAL DRAWINGS FOR FRAMING DETAILS AND ADDITIONAL INFORMATION.
 3. SEE CIVIL DRAWINGS FOR FINISH FLOOR AND FINISH GRADE ELEVATIONS.

DATE	APPR
DESCRIPTION	
SYM	
<p>US Army Corps of Engineers Engineering and Support Center Huntsville, Alabama</p>	
<p>NAVFAC</p>	
SUBMITTED BY	
FIRM MEMBER	DATE
APPROVED	
X XXXXXXXXX	
ACTIVITY - SATISFACTORY	DATE XX/XX/XX
APPROVED	
FOR COMMANDER NAVFAC	
DES JAI	DR JAI
CHK SAE	DC
DESIGNER	
REVIEWED BY	
DC	
DESIGN MANAGER	
FIRE PROTECTION	
BRANCH MANAGER	
ENGINEERING DIR.	
DEPARTMENT OF THE NAVY NAVAL FACILITIES ENGINEERING COMMAND ~ MID-ATLANTIC MARINE CORPS NORTH CAROLINA IPT NAVAL STATION - NORFOLK - VIRGINIA MARINE CORPS BASE CAMP LEJEUNE, NC MULTI-PURPOSE MACHINE GUN RANGE & ENGINEER TRAINING COMPLEX DOOR TYPES - ETC	
CODE ID. NO. 88091	SIZE D
SCALE 1:50	
MAXIMO NO.	
JOB ORDER NO. P-831	
SPEC. NO. N/A	
CONSTR. CONTR. NO. N/A	
NAVFAC DRAWING NO. 12547833	
SHEET 316 OF 439	
A-655	
DRAWING REVISION: 01 AUGUST 2004	

REVDATE PLOTTED: 19-JAN-2010 FILENAME: A-655.DGN SUBMITTAL: CORRECTED FINAL

1 2 3 4 5