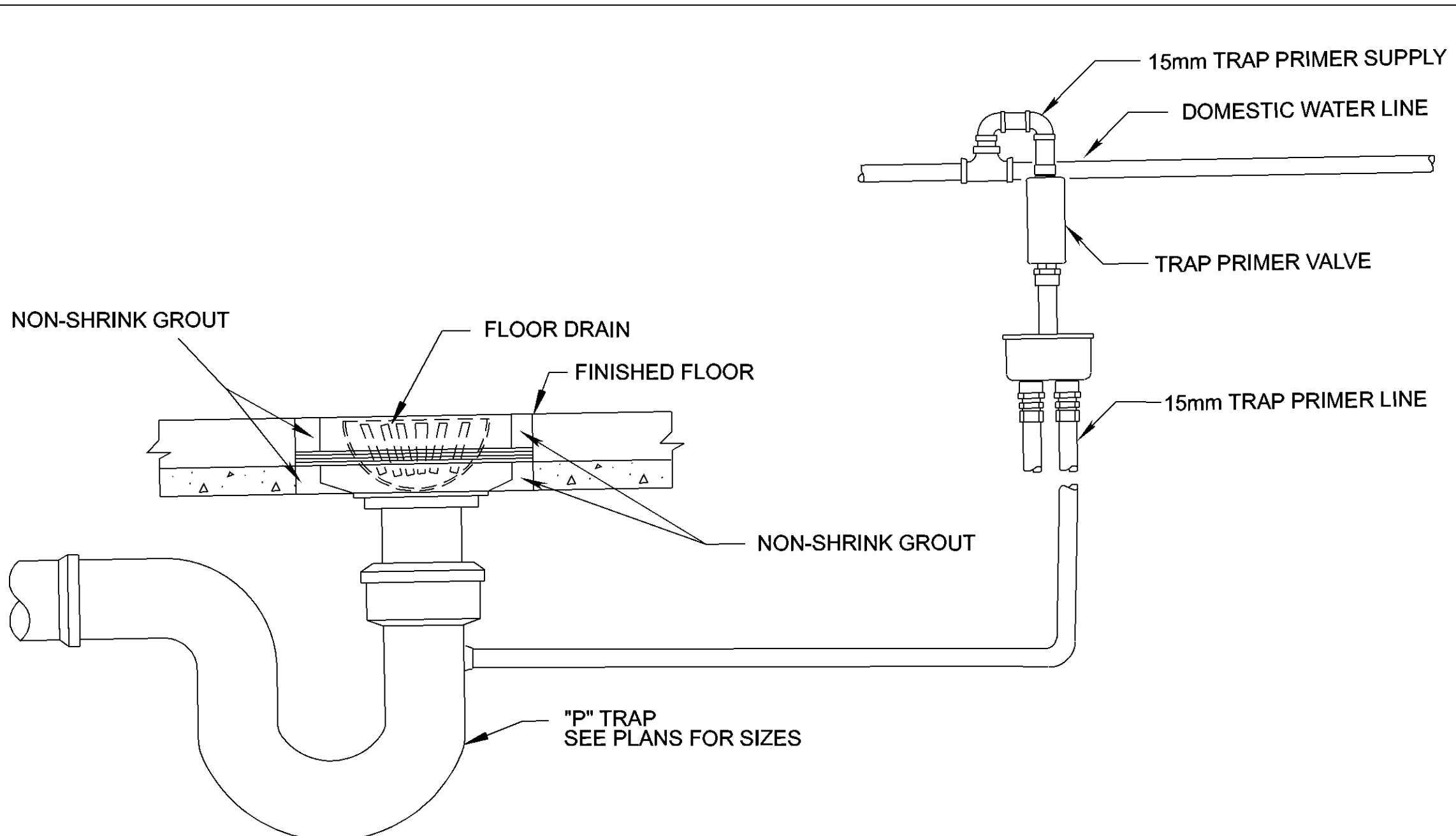
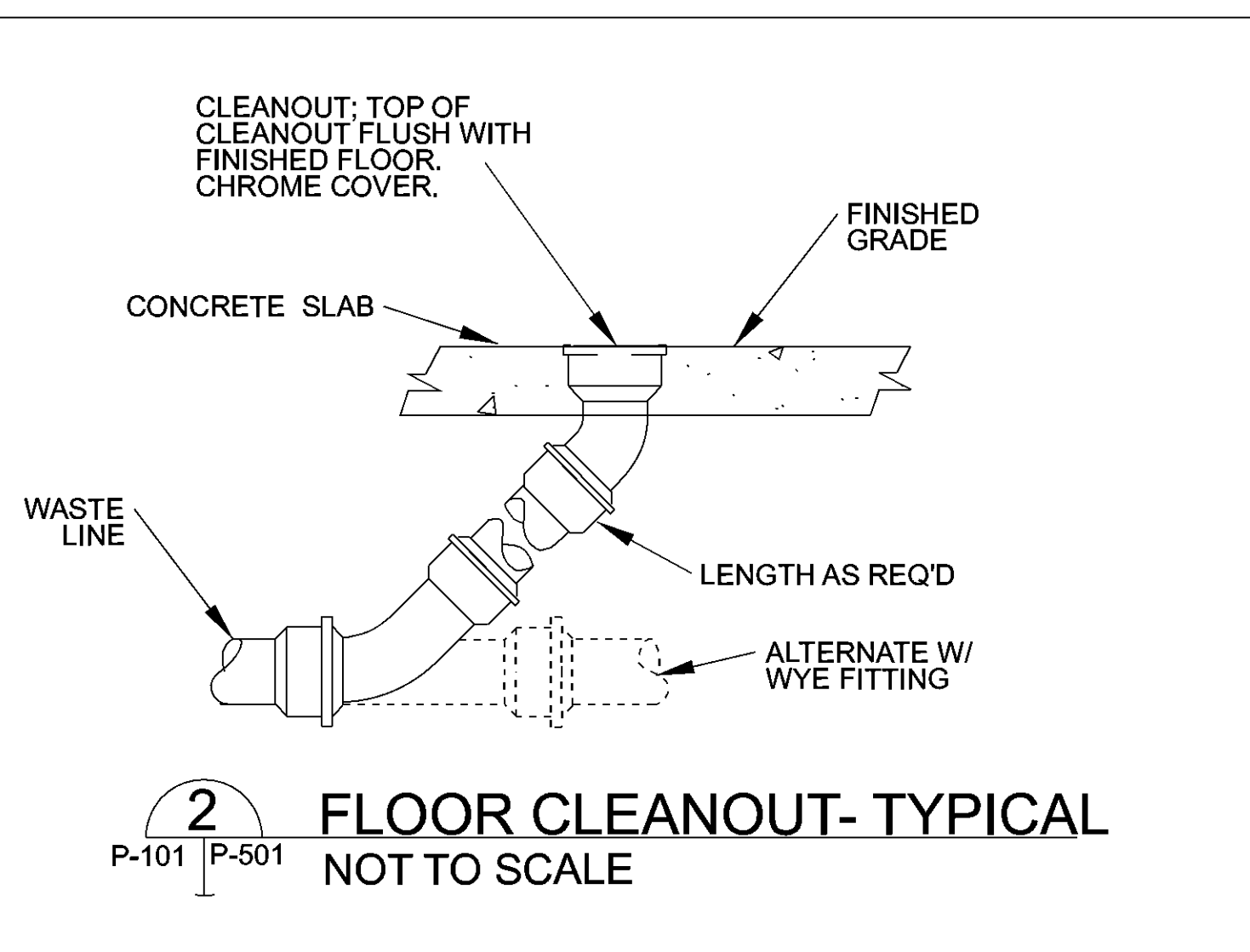


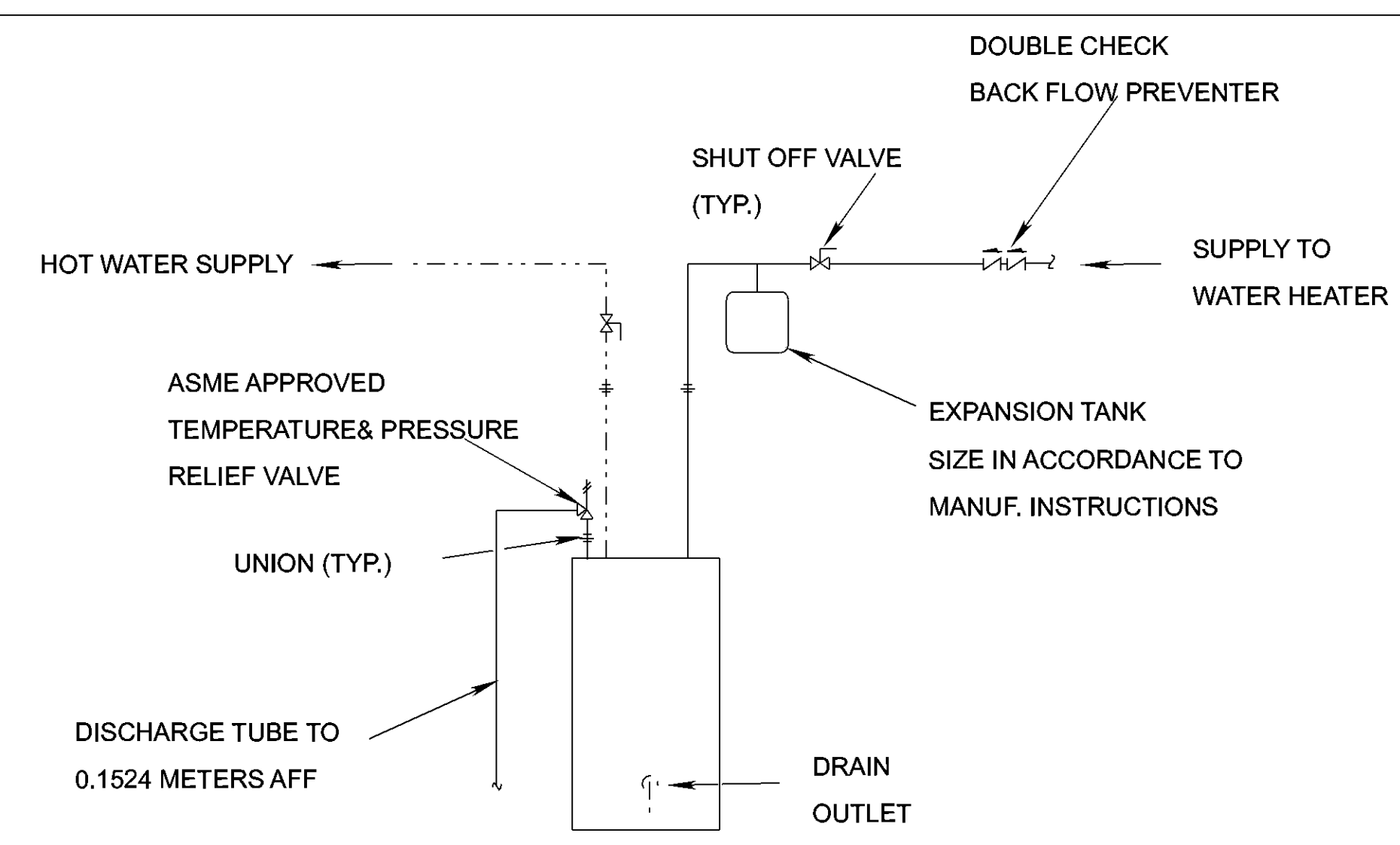
1 WATER SERVICE ENTRANCE- TYPICAL
NOT TO SCALE
P-101 P-501



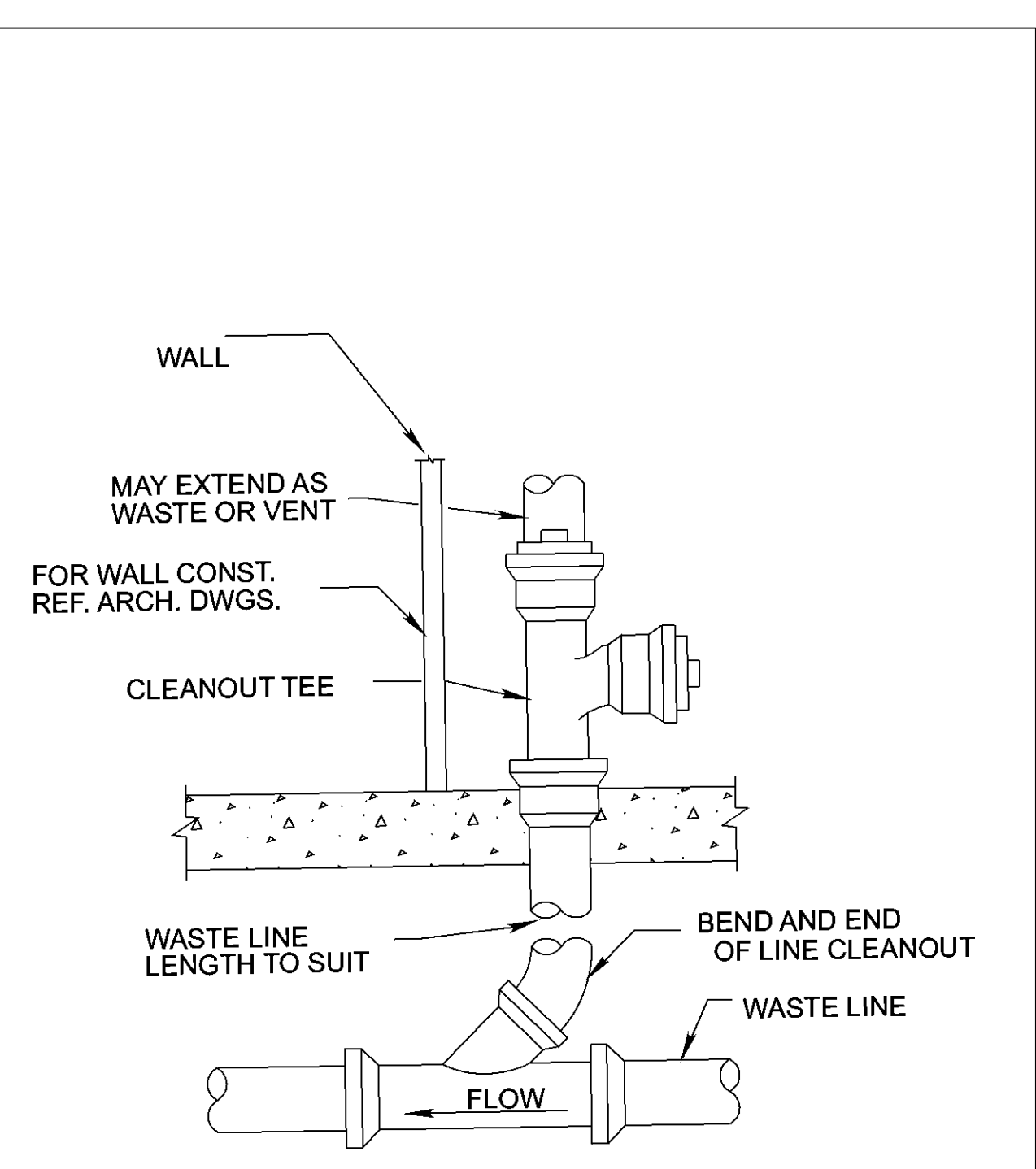
4 FLOOR DRAIN DETAIL- TYPICAL
NOT TO SCALE
P-101 P-501



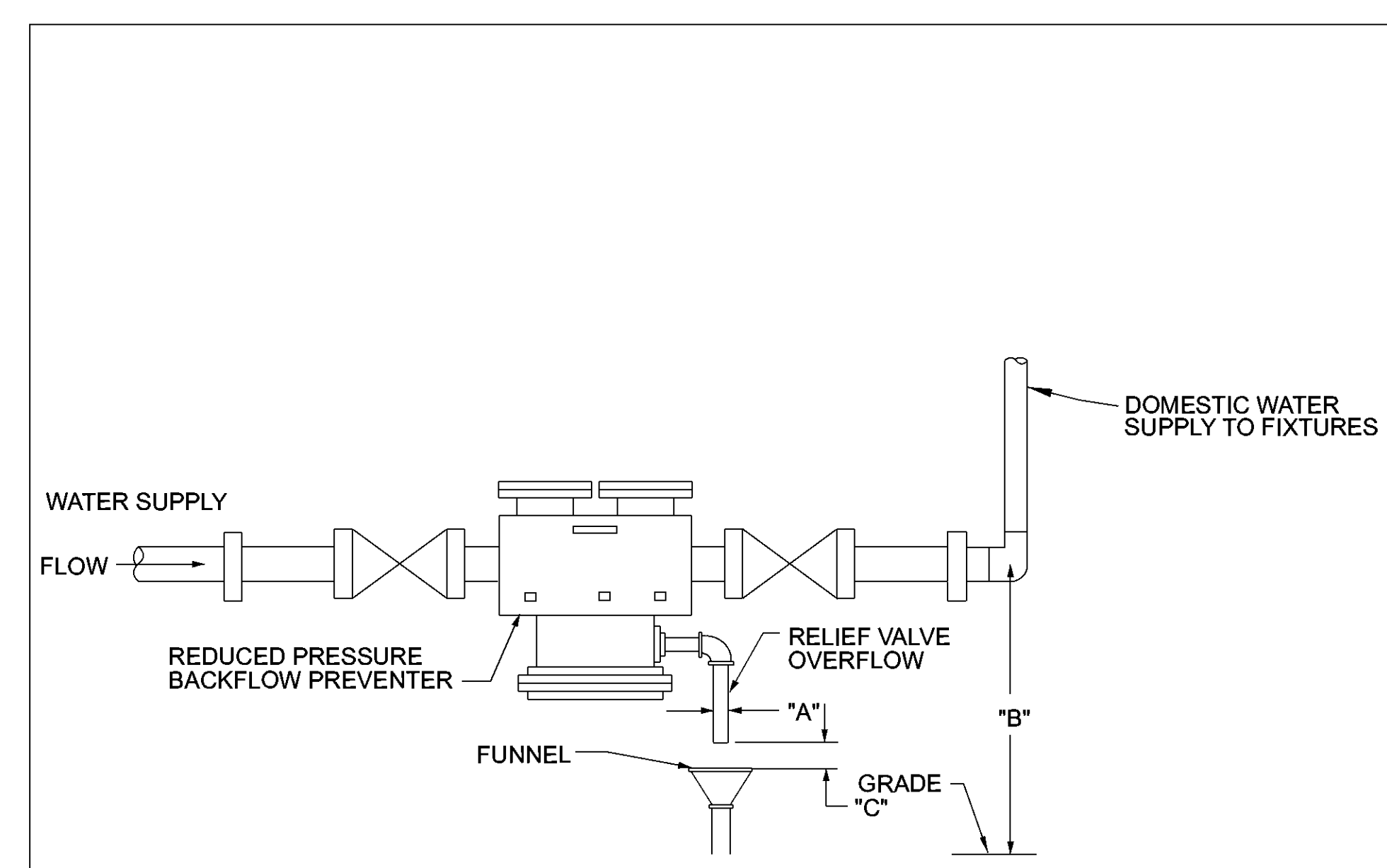
2 FLOOR CLEANOUT- TYPICAL
NOT TO SCALE
P-101 P-501



3 WATER HEATER DETAIL - TYPICAL
NOT TO SCALE
P-101 P-501



5 WALL CLEANOUT- UNFINISHED ROOMS- TYPICAL
NOT TO SCALE
P-101 P-501



BACKFLOW PREVENTER SIZE	OVERFLOW SIZE "A"	MINIMUM DIMENSIONS	
		"B"	"C"
1" & 1 1/2"	3/4"	2'-0"	1 3/4"
2", 2 1/2" & 3"	1 1/4"	2'-0"	2 3/4"
4" & 6"	2"	2'-6"	4 1/8"
8" & 10"	3"	3'-0"	6 1/4"


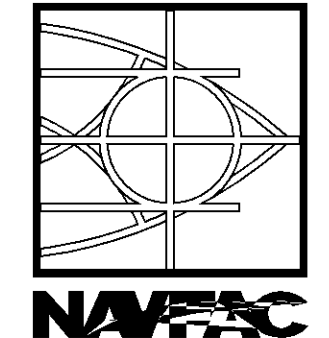
6 BACK FLOW PREVENTER DETAIL-TYPICAL
NOT TO SCALE
P-101 P-501

DATE	APPR.
DESCRIPTION	
SYN	
 US Army Corps of Engineers Engineering and Support Center Huntsville, Alabama	
 NAVFAC SEAL	
SUBMITTED BY	
FIRM MEMBER	DATE
APPROVED	X XXXXXXXXX
ACTIVITY - SATISFACTORY TO	DATE XX/XX/XX
APPROVED	
FOR COMMANDER NAVFAC	DATE
DES. W/M	DR. REJ.
CHK. T/M	DC
DESIGNER	
REVIEWED BY	
QC	
DESIGN MANAGER	
FIRE PROTECTION	
BRANCH MANAGER	
ENGINEERING DIR.	
DEPARTMENT OF THE NAVY NAVAL FACILITIES ENGINEERING COMMAND ~ MID-ATLANTIC NAVAL STATION - NORFOLK - VIRGINIA MARINE CORPS BASE MULTI-PURPOSE MACHINE GUN RANGE & ENGINEER TRAINING COMPLEX CAMP LE JEUNE, NC PLUMBING DETAILS - MPMG	
CODE ID. NO. 80091	SIZE D
SCALE	
MAXIMO NO.	
JOB ORDER NO. P-831	
SPEC. NO. N/A	
CONSTR. CONTR. NO. N/A	
NAVFAC DRAWING NO. 12547664	
SHEET 146 OF 439	
P-501	
DRAWING REVISION: 01 AUGUST 2004	

REVDATE PLOTTED: 14-DEC-2009 FILENAME: P-501 PLUMBING DETAILS-MPMG.DGN SUBMITTAL - CORRECTED FINAL

ELECTRIC WATER HEATER SCHEDULE				REMARKS
NO.	CAPACITY L	K. W.	VOLTS/PHASE	
EWH-106	151	9	240/1	NON-SIMULTANEOUS DUAL ELEMENTS

PLUMBING FIXTURE SCHEDULE						
MARK	DESCRIPTION	CONNECTIONS				REMARKS
		WASTE	VENT	CW	HW	
P1	WATER CLOSET	80	50	40	-	STAINLESS STEEL, VANDAL RESISTANT
P2	LAVATORY	40	40	15	15	STAINLESS STEEL, VANDAL RESISTANT
P3	URINAL	50	50	20	-	STAINLESS STEEL, VANDAL RESISTANT
P4	SERVICE SINK	80	50	15	15	CAST IRON, WALL MOUNT, FLOOR SUPPORTED TRAP W/STRAINER, VACUUM BREAKER HOSE BIB
P6	FLOOR DRAIN	80	50	15	-	

DATE	APPR.
DESCRIPTION	
SYM	
 <p>US Army Corps of Engineers Engineering and Support Center Huntsville, Alabama</p>	
	
SUBMITTED BY	
FIRM MEMBER	DATE
APPROVED	X XXXXXXXXX
ACTIVITY - SATISFACTORY TO	DATE
APPROVED	XX/XX/XX
FOR COMMANDER NAIFAC	
DES. W/M	DR. REJ.
CHK. T/M	DC
DESIGNER	
REVIEWED BY	
DC	
DESIGN MANAGER	
FIRE PROTECTION	
BRANCH MANAGER	
ENGINEERING DIR.	
NAVAL FACILITIES ENGINEERING COMMAND NAVAL FACILITIES ENGINEERING COMMAND ~ MID-ATLANTIC NAVAL STATION - NGRDOLK - VIRGINIA MARINE CORPS BASE MARINE CORPS BASE CAMP LE JEUNE, NC MULTI-PURPOSE MACHINE GUN RANGE & ENGINEER TRAINING COMPLEX PLUMBING SCHEDULE - MPMG	
CODE ID. NO. 80091	SIZE 0
SCALE	
MAXIMUM NO.	
JOB ORDER NO. P-831	
SPEC. NO. N/A	
CONSTR. CONTR. NO. N/A	
NAVFAC DRAWING NO. 12547665	
SHEET 147 OF 431	
P-601	
DRAWING REVISION: 01 AUGUST 2004	

REVDATE PLOTTED: 14-DEC-2009 FILENAME: P-601 PLUMBING SCHEDULE-MPMG.DGN SUBMITTAL: CORRECTED FINAL